

LUXO



Adapt - A flexible family



Adapt - A flexible family

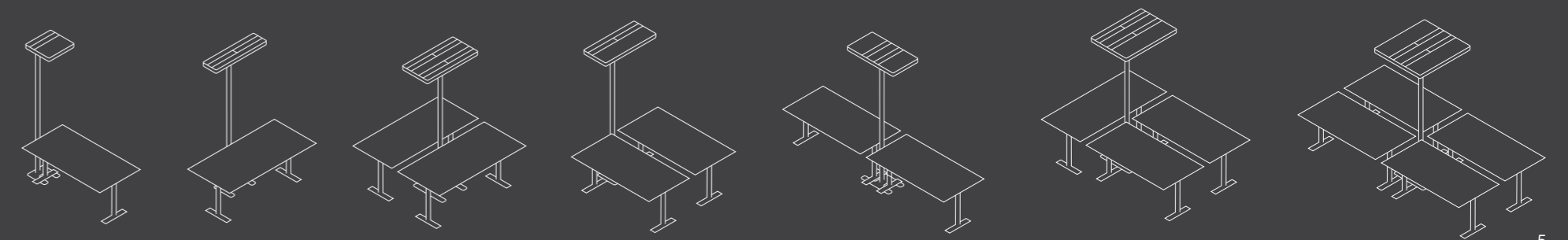
Luxo Adapt is a family of freestanding luminaires that are flexible enough to cover every office plan.

With Luxo quality and a clean Scandinavian design, you can be confident that an Adapt product will complement any professional interior. The collection can be fitted with up to seven different head options that fulfil the toughest light requirements from one up to four desks on a single pole luminaire. In environments where desks are clustered together in groups, Adapt can give a calmer and neater look for the office.

A solution for every office

Adapt is developed with flexibility in mind.

Whatever your office plan, you will find a lighting solution. The luminaires are available in black, grey, and white, and come with many different options for controls, sensors, and adjustable or fixed colour temperatures. They can be easily moved and transported, and thus give you light exactly where you need it. These luminaires adapt to you – not the other way around.



Illuminate several desks with a single luminaire

The traditional office setup is to have one freestanding lamp for each desk.

With Adapt you can illuminate up to four desks on a single pole luminaire, giving you a greater light output with fewer luminaires. This reduces both energy use and visual clutter: you get fewer lamps, fewer wires, and an airier look and feel for your workspace. Adapt's up-light will illuminate your ceiling, which then reflects back on the surrounding areas below. This will reduce the need for dedicated ceiling lights, while still fulfilling EU requirements.





A sustainable choice

Reducing the number of luminaires you need for your office space will give you a significant reduction in energy use.

This makes Adapt not only an aesthetically pleasing choice: it is also a cost-efficient, long-lasting and sustainable one. If at any point you need to reconfigure your office plan, the Adapt will effortlessly follow your lead. You can easily take it with you, whether you move to a new corner or to a whole new location – there's no need to buy a new one.

Making conscious choices

Did you know that 95% of the environmental impact from a lighting fixture is from when it's in use?

We have made sure to equip Adapt with the most efficient LED modules and high-quality optics. This has allowed us to bring forth an energy-efficient solution in a long-lasting luminaire with a lifetime of up to 40 years of normal use.

We have also kept the variety of materials in our Adapt luminaries to a minimum, and this has resulted in creating a durable product that can easily be divided into separate, clean parts for recycling.





Scandinavian design

The adapt luminaires boast a sleek Scandinavian design and impressive build quality.

This attention to detail can be found in even the most minor details, where even buttons, switches, and sensors are made to be as aesthetically pleasing as possible. Simple and unobtrusive, these luminaires will be a natural part of the modern office environment while letting you focus on the task at hand.

Smart Technology

The clean and sleek exterior hides the many clever features inside Adapt.

The luminaire comes with a control panel that lets you manually override any pre-programmed automatic settings, and its sensors make sure the light output is as energy-efficient as possible. Optional functions specifications include daylight compensation that adapts the light to the surrounding environment, wireless communication with your other Adapt luminaires, and functionality that mimics the natural daily light cycles found in nature.





Variants - Adapt



1DS
1 Desk Side

1DF
1 Desk Front

2DC
2 Desks Corner

2DS
2 Desks Side

2DF
2 Desks Front

3D
3 Desks

4D
4 Desks

Colours:



Version		Head	Foot
1DS - 1 Desk Side 3000 & 4000 Kelvin - 11000 lumen Tuneable White - 10000 lumen		 490 mm 490 mm	 370 mm 370 mm
1DF - 1 Desk Front 3000 & 4000 Kelvin - 12000 lumen Tuneable White - 12000 lumen		 322 mm 930 mm	 322 mm 700 mm
2DC - 2 Desks Corner 3000 & 4000 Kelvin - 14000 lumen Tuneable White - 14000 lumen		 490 mm 930 mm	 322 mm 700 mm
2DS - 2 Desks Side 3000 & 4000 Kelvin - 2x11000 lumen Tuneable White - 2x10000 lumen		 490 mm 949 mm	 500 mm 370 mm
2DF - 2 Desks Front 3000 & 4000 Kelvin - 2x12000 lumen Tuneable White - 2x12000 lumen		 552 mm 930 mm	 550 mm 700 mm
3D - 3 Desks 3000 & 4000 Kelvin - 1x12000 & Tuneable White - 1x14000 lumen		 720 mm 930 mm	 550 mm 700 mm
4D - 4 Desks 3000 & 4000 Kelvin - 2x14000 lumen Tuneable White - 2x14000 lumen		 888 mm 930 mm	 550 mm 700 mm



Design: Andreas Murray and Hans Bleken Rud



Andreas Murray

Permafrost was founded in 2000 by four Norwegian industrial designers: Andreas Murray, Eivind Halseth, Oskar Johansen and Tore Vinje Brustad. From their design studio in Oslo, Norway they have worked with clients from all over the world.

Permafrost`s ultimate goal is to create timeless, lasting products that the users will love and take care of. As a result, Permafrost`s work is all about designs that are user-friendly, simple and safe, with just enough personality to make them stand out.



Hans Bleken Rud

Hans Bleken Rud is a Norwegian industrial designer. He began his studies at the Art & Design College, and later graduated with a Masters in Industrial Design from the Oslo School of Architecture and Design. His career has mostly been focused towards various projects related to lighting and light design. He has also designed products for the sports, aid charities and aviation industries. Since 2007 he has worked as a professional designer for Glamox.

A flexible family



